



# ***BRACKETT AERO FILTERS, INC.***



## **INSTRUCTIONS**

ASSEMBLY PART NO. BA-8710

APPROVED ON AIRCRAFT MODELS: SEE FAA APPROVED APPLICABILITY LIST

REPLACES: Cessna PN C294510-0801

FAA APPROVAL DATA: STC-SA71GL List No. 1  
FAA-PMA Supplement No. 1

Your new polyurethane air filter element has been designed to provide maximum dust collecting efficiency, non-restrictive air flow, and economical element replacement, while maintaining a lightweight filter. The element has been treated with a distinctive treatment called a wetted agent and is approximately 98% efficient. The wetted agent is an accompaniment in the efficient capturing of dust. In addition, the element has received a fire retardant treatment. For the above reasons, replace the element each 100 hours of use, 12 months or when 50% covered with foreign material. DO NOT WASH AND REUSE.

## **INSTALLATION INSTRUCTIONS**

- Step 1. Remove original air filter and discard.
- Step 2. Remove element BA-8705 from plastic bag and install into frame assembly.
- Step 3. Screw grill onto frame with 4 screws and internal lock washers provided.
- Step 4. Install filter assembly using the same procedure as the original filter. Be sure Air Flow arrows and end marked top are in the proper position. Beveled gasket to the bottom of the canister.
- Step 5. NOTE: After initial installation of filter assembly, fill out FAA Form 337 for return to service. On future replacement of parts this form will not be required.

SERVICING: Under normal conditions, replace filter element, PN BA-8705, after 100 hours use or 1 year intervals. Under severely dusty conditions, check daily and replace when element is 50% covered with foreign material. For Continued Airworthiness Instructions, see Form I-194.



# BRACKETT AERO FILTERS, INC.



## BA-8710-04

### GASKET INSTALLATION PROCEDURE

1. Use a plastic (or equivalent) scraper and remove the existing gasket.
2. Using Scotch Brite and MEK (or equivalent) clean the surface totally.
3. Apply silicone sealant DC732 or pro-seal sealant to the gasket surface, follow the manufacturers label directions. On the exposed frame apply enough to fill a line from the gasket retaining lip to the edge. (See Fig. 1)

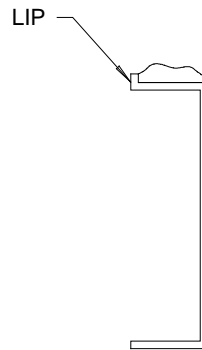


FIG. 1

4. Clamp or weigh down with  $\approx 2$  lbs. This should be done on a non-stick type surface such as wax paper, polypropylene or equivalent.

Note: The sealant will take a few days to cure.

5. Upon cure of the sealant trim exposed end with razor type blade (See Fig 2) make smooth transition from gasket to the frame.

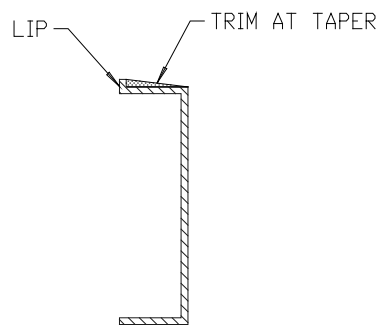


FIG. 2

NOT SCALE

The taper results in an easier installation in the aircraft.

United States Of America  
Department of Transportation - Federal Aviation Administration  
**Supplemental Type Certificate**

*Number* SA71GL

*This Certificate issued to* BRACKETT AERO FILTERS, INC.  
7052 Government Way  
Kingman, Arizona 86401

*certifies that the change in the type design for the following product with the limitations and conditions therefor as specified hereon meets the airworthiness requirements of Part \* of the \* Regulations.*

*Original Product Type Certificate Number:* \* \*See attached Approved Model List (AML)

*Make:* \*(AML) No. SA71GL for list of approved aircraft

*Model:* \*models and applicable airworthiness regulations.

*Description of Type Design Change:* Installation of air filters in accordance with AML No. SA71GL dated April 17, 1995, or later FAA approved revision.

*Limitations and Conditions:* Approval of this change in type design applies to the above aircraft model(s) only. This approval should not be extended to aircraft of this model on which other previously approved modifications are incorporated unless it is determined that the interrelationship between this change and any of those other previously approved modifications will introduce no adverse effect upon the airworthiness of that aircraft. A copy of this Certificate and FAA Approved Model List (AML) No. SA71GL dated April 17, 1995, or later FAA approved revision must be maintained as part of the permanent records for the modified aircraft.

*This certificate and the supporting data which is the basis for approval shall remain in effect until surrendered, suspended, revoked or a termination date is otherwise established by the Administrator of the Federal Aviation Administration.*

*Date of application:* January 9, 1975

*Date reissued:* March 3, 1983, June 20, 2000

*Date of issuance:* February 21, 1975

*Date amended:* April 17, 1995



*By direction of the Administrator*

for Jim Liza Phalabanan  
(Signature)

Manager, Tech. and Admin. Support Staff  
Los Angeles Aircraft Certification Office  
(Title)

Any alteration of this certificate is punishable by a fine of not exceeding \$1,000, or imprisonment not exceeding 3 years, or both.

**FAA APPROVED MODEL LIST (AML) NO. SA71GL  
BRACKETT AERO FILTERS, INC.  
FOR  
INSTALLING AIR FILTERS**

Issue Date: April 17, 1995

ITEM	AIR FILTER MODEL NUMBER	TOP DRAWING		AIRCRAFT MAKE	AIRCRAFT MODEL	ORIGINAL TYPE CERTIFICATE NUMBER	CERT. BASIS	AML AMENDMENT DATE
		NUMBER	REVISION & DATE					
58	BA-8710	BA-8710	A 3/27/85	Cessna	P210N, P210R	3A21	CAR 3	-----
*** END OF DATA ***								
59	BA-8810	BA-8810	A 10/4/91	Univair	(Mooney) 415-C, 415-CD	A-718	CAR 4a	-----
				Univair	415D, (ERCO)E, (ERCO)G	A-787	CAR 3	-----
*** END OF DATA ***								
60	BA-8910	BA-8910	B 6/5/95	Dynac	(Aero Commander) 100, 100A	1A21	CAR 3	7/12/95
				*** END OF DATA ***				
61	BA-S108K	BA-S108K	N/C 7/14/88	Univair	(Stinson) 108, 108-1, 108-2, 108-3	A-767	CAR 3	-----
				*** END OF DATA ***				
62	BA-151	BA-151	A 12/1/93	Twin Commander	500-A, 500-B, 500-U	6A1	CAR 3	-----
				Twin Commander	560F, 680-F, 680FL, 680FL(P)	2A4	CAR 3	-----
*** END OF DATA ***								

# BRACKETT AIR FILTER DOCUMENT I-194

PLACE IN AIRCRAFT RECORDS

CONTINUED AIRWORTHINESS INSPECTION  
 REQUIREMENTS AS PER FAR 23.1529  
 AND GENERAL PROCEDURES OF PART 43

INSPECTION INTERVALS: Pre-flight inspections, engine backfire inspection, 100 hour inspections, annual inspections, filter element replacements.

## INSPECTION PROCEDURES

- A. Pre-flight inspection: Per Pilots Operating Handbook, check filter assembly for security, damage or 50% contamination of element face. If found report to maintenance personnel prior to flight.
- B. Engine start-up backfire inspection: Prior to flight, check the entire intake system for security or damage. If a fire was present, the downstream face of the foam element will show erosion. If any irregularities are found see Chart I and also refer to the Aircraft Maintenance Manual for the intake system.
- C. At element replacement intervals: With the element removed, inspect the filter grill, filter frame, filter mountings and entire intake system for security, wear and any deformation. Note: On filter assemblies with gaskets, visually inspect inside and outside of frame for any signs of gasket looseness, movement or deterioration. If found refer to Chart I or the proper maintenance manual for your aircraft or component.

PART			INSTRUCTIONS
	REPLACE	REWORK	
FRAME	X		COMPLETE NEW ASSEMBLY
GASKET	X		ON FILTER FRAME, REMOVE OLD NEOPRENE GASKET AND ALL TRACES OF ADHESIVE DOWN TO A CLEAN ANODIZED FRAME SURFACE. USE ADHESIVE 3M#847 OR DOW CORNING RTV-732. COAT ENTIRE MATING SURFACE (GASKET TO FRAME). APPLY ADHESIVE FOLLOWING MANUFACTURER'S LABEL DIRECTIONS. WHEN FRAME AND GASKET ARE PLACED TOGETHER, CLAMP OR WEIGHT DOWN AT .75 LB./SQ. IN. OF CONTACT AREA. ALLOW TO CURE 24 HOURS PRIOR TO INSTALLATION. PRIOR TO REINSTALLATION OF FILTER, CHECK AIRBOX MATING SURFACE FOR IRREGULARITIES. IF FOUND, CORRECT PER MANUFACTURER'S REQUIREMENTS. UPON REINSTALLATION CHECK THAT THE GASKET MAKES 100% CONTACT. THE GASKET SHOULD BE COMPRESSED 50% FOR OPTIMUM SEAL.
GRILL	X		REPLACE WITH NEW GRILL
HARDWARE	X		REPLACE UNSERVICEABLE WITH NEW
SCREEN	X		COMPLETE NEW ASSEMBLY
SCREEN/GASKET	X		COMPLETE NEW ASSEMBLY ( ASSEMBLIES USING SCREEN GASKETS PRE 1981; BA-4106, BA-5110 AND BA-8110. )
ELEMENT	X		REPLACE ELEMENT